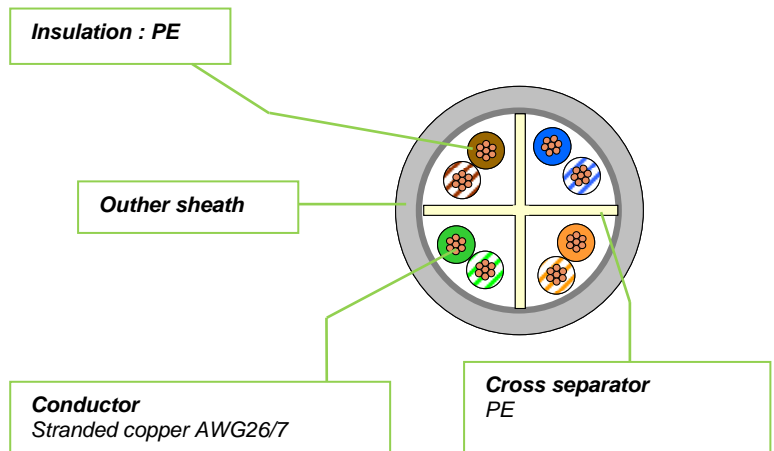
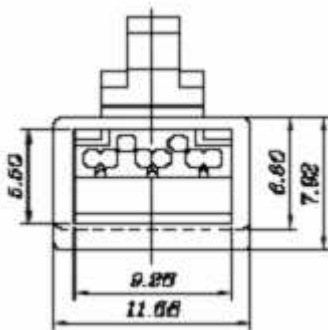


Descriptions

- Patch cord with moulded boots U/UTP – 4 pairs – Category 6 – 500 MHz
- Each patch cord is delivery in individual polybag.
- The patch cords are available in 5 colours (Grey – Blue – Yellow – Red – Green), and 5 lengths (1m – 2m – 3m – 5m – 10m)
- Colour code : TIA/EIA 568 B
- Plug : UTP : RJ45 8P 8C for round cable – contact : 15 µinch gold.
- The conductors are shifted on 2 levels to ensure a better cross talk (NEXT).



Standard & performances

The performances of cable TX200P4 correspond to the limits defined by the standards followings :

PATCH CORD	SYSTEM
DRAFT ISO/IEC – TR24750 Channel	
EIA/TIA Draft 3.0 – TSB 155: legacy category 6 cabling d from 250MHz up to 500MHz Channel	

Characteristics

Fire behavior	IEC 60332-1 / NF C 32070 C2
Temperature range	-20°C to +70°C
Minimum bending radius	8 x outer diameter of the cable
Conformity to RoHS directive	

Ordering information

Item No	Designation	Length	Packaging
VG504xM	Grey patch cord U/UTP Cat6 10G	x = 1/2/3/5/10 m	Unit in polybag
VG504xBM	Blue patch cord U/UTP Cat6 10G	x = 1/2/3/5/10 m	Unit in polybag
VG504xJM	Yellow patch cord U/UTP Cat6 10G	x = 1/2/3/5/10 m	Unit in polybag
VG504xRM	Red patch cord U/UTP Cat6 10G	x = 1/2/3/5/10 m	Unit in polybag
VG504xVM	Green patch cord U/UTP Cat6 10G	x = 1/2/3/5/10 m	Unit in polybag