

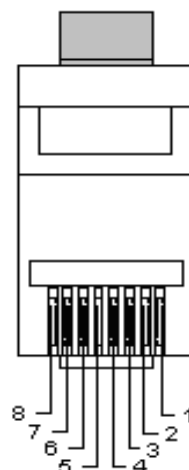
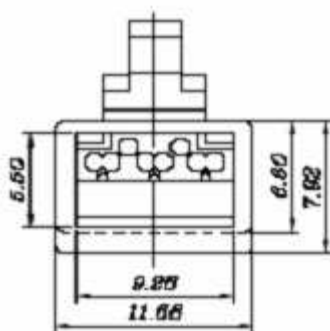
REF: TX504yxM

Patch cord 4 pairs RJ45 U/FTP – Category 6 10G – 500MHz



Descriptions

- Patch cord with moulded boots U/FTP – 4 pairs – Category 6 10G – 500 MHz
- Each patch cord is delivery in individual polybag.
- The patch cords are available in 5 colours (Grey – Blue – Yellow – Red – Green), and 5 lengths (1m – 2m – 3m – 5m – 10m)
- Colour code : TIA/EIA 568 B
- Plug : FTP : RJ45 8P 8C for round cable – contact : 50 µinch gold.
- The conductors are shifted on 2 levels to ensure a better cross talk (NEXT).



Code TIA/EIA 568 B

1	WHITE/ORANGE
2	ORANGE
3	WHITE/GREEN
4	BLUE
5	WHITE/BLUE
6	GREEN
7	WHITE/BROWN
8	BROWN

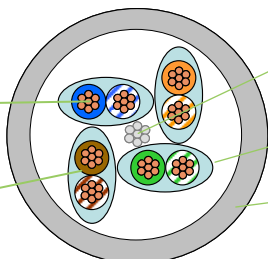
REF: TX504yxM

Patch cord 4 pairs RJ45 U/FTP – Category 6 10G – 500MHz

CABLE USE FOR THE PATCH CORD

CONDUCTOR :
Stranded bare copper AWG 26/7

INSULATION : PE
Diameter : 0,96 mm



DRAIN WIRE :
Stranded tinned copper : AWG 27/7

SHIELDING PAIR TO PAIR :
Aluminium / Polyester tape

OUTER SHEATH :
Outer diameter : 5,5 mm
Grey – Blue – Yellow – Red – Green

Standard & performances

The performances of cable SGBP4 correspond to the limits defined by the standards followings :

PATCH CORD	SYSTEM
EIA/TIA 568-C.2 patch cords	EIA/TIA 568-C.2 Category 5e Channel
ISO/IEC 11801 patch cords	EIA/TIA Draft 3.0 - TSB-155: legacy category 6 cabling from 250 MHz up to 500 MHz CHANNEL
	ISO 11801 Ed.2 – Classe D Channel
	DRAFT ISO/IEC – TR24057 CHANNEL
	EN 50173 Ed.2 – Classe D channel

DRAFT ISO/IEC – TR24057 CHANNEL

Characteristics

Fire behavior	IEC 60332-1 / NF C 32070 C2
Temperature range	-20°C to +70°C
Minimum bending radius	8 x outer diameter of the cable
Conformity to RoHS directive	

Ordering information

Item No	Designation	Length	Packaging
TX504yM	Grey patch cord F/UTP Category 6 10G	y = 1/2/3/5/10 m	Unit in polybag
TX504yBM	Blue patch cord F/UTP Category 6 10G	y = 1/2/3/5/10 m	Unit in polybag
TX504yJM	Yellow patch cord F/UTP Category 6 10G	y = 1/2/3/5/10 m	Unit in polybag
TX504yRM	Red patch cord F/UTP Category 6 10G	y = 1/2/3/5/10 m	Unit in polybag
TX504yVM	Green patch cord F/UTP Category 6 10G	y = 1/2/3/5/10 m	Unit in polybag