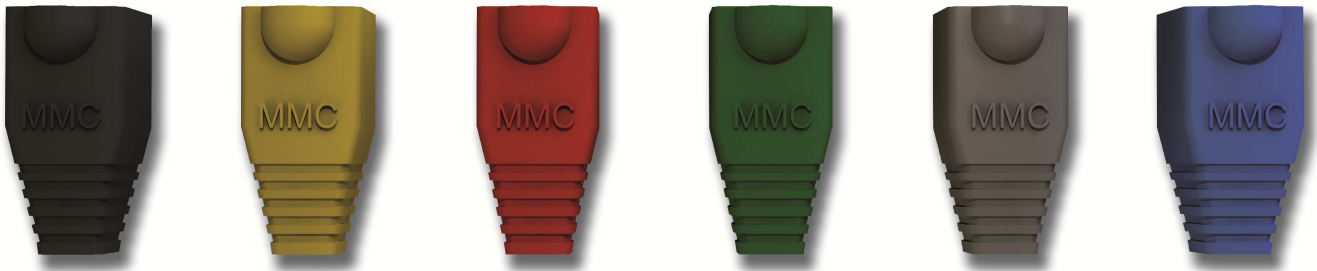


## REF: MRJTSx

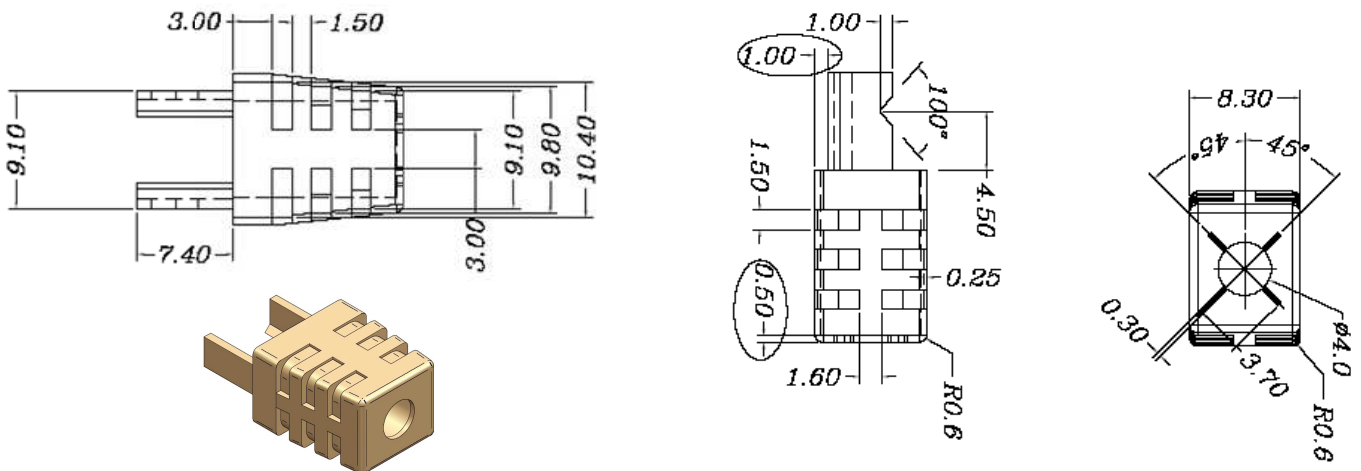
Boot for RJ45 plug – diameter 4 to 7.4 mm



### Descriptions

- Boot type moulded for RJ45 plug
- Boot available in different color
- Cable diameter accepted : 4 to 7.4 mm

### Dimension



### Ordering information

Item No	Designation	Packaging
MRJTSN	Black Boots for RJ45 plug	100
MRJTSE	Blue Boots for RJ45 plug	100
MRJTSJ	Boots yellow for RJ45 plug	100
MRJTSS	Boots red for RJ45 plug	100
MRJTSV	Boots green for RJ45 plug	100
MRJTSG	Boots grey for RJ45 plug	100