

IPC123-Ei7N

Recognitive HD Network Box Camera



Features

Excellent Image Quality

- 2.0 Megapixel 1/1.9" Progressive Scan CMOS Sensor
- High definition and smooth picture, 1080p@25fps
- Ultra low illumination, 0.002Lux with color picture
- WDR / HLC / 3D noise reduction

Recognitive Functions

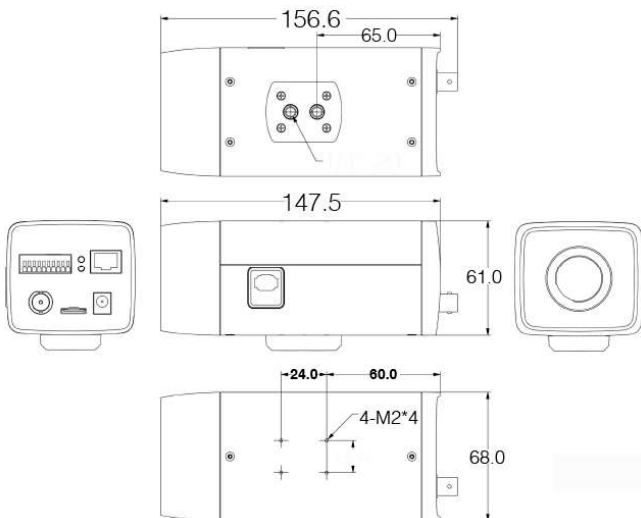
- Up to 50 targets simultaneously
- Target capturing and characters recognizing

Abundant Functions and Features

- Micro SD card slot, supports Automatic Network Replenishment (ANR)
- Up to 4 Multi-stream
- Bi-directional audio / alarm in&out / video out / RS485

Dimensions

Units: mm



Specification

Camera	IPC123-Ei7N
Image Sensor	1/1.9" Progressive Scan CMOS
Pixels	2.0 Megapixel
Min. Illumination	Color: 0.002Lux @ (F1.2, AGC ON) B/W: 0.0002Lux @ (F1.2, AGC ON)
Shutter Speed	1/10 ~ 1/10,000s
Day / Night	Auto (ICR) / Color / B/W
Wide Dynamic Range	Digital WDR
S/N Ratio	>52dB
White Balance	Auto / Manual
Gain Control	Auto / Manual
Backlight Compensation	Off / WDR / BLC / HLC
Lens (not included)	
Mount Type	C / CS
Auto Iris	DC drive / P-Iris
Video	
Compression	H.264
Image Resolution	Main stream: 1080p Secondary stream: D1
Frame Rate	Main stream: 1080p@25fps Secondary stream: D1@25fps
Bitrate	32kbps ~ 16Mbps
Bitrate Control	CBR
Multi-stream	Supported
Caption	Date and time / Alarm / Direction / Customized
Privacy Masking	Up to 4 zones
Motion Detection	Up to 4 zones
Video Freeze	Supported
ROI	Supported
Digital Noise Reduction	3D noise reduction
Digital Defog	Supported
Image Flip	Flip / Mirror
Audio	
Compression	G.711a / G.711u / ADPCM / G.722 / AAC-LC / G.722.1c
Bitrate	32kbps ~ 64kbps
Audio Function	Bi-directional audio / AEC / Mixed audio recording / Dumb / Mute
Network	
Network Protocols	TCP/IP, UDP, HTTP, DHCP, DNS/DDNS, RTP/RTCP, RTSP, PPPoE, FTP, VSIP, UPnP, 802.1x, NAT, QoS, SMTP, IPv4, IPv6 (optional)
User Interface	IPC Control (IE, Firefox, Chrome)
Max. User Access	Max. 10 Users (includes 2 internal)
Application Programming	Onvif (Profile S, Profile G), GB/T 28181-2011, API, CGI
Automatic Network Replenishment (ANR)	Supported
Recognitive Functions	
Target Detection	up to 50 moving targets simultaneously
Target Capturing Mode	Automatic
Target Characters	Type / Direction / Color / Speed level / Size level
Alarm	
Alarm Triggers	Alarm input / Network disconnect / Disk full / Disk error
Alarm Events	Alarm report / Recording / Text overlay / Snapshot / External output / Email notice / Acoustic alarm
Interfaces	
Ethernet	10/100M, RJ45 interface
Audio In / Out	1 x Line in / 1 x Line out
Control	1 x RS485
Alarm In / Out	1 x Input / 1 x Output
Video Out	1 x BNC, 1.0V [pp] / 75Ω
Memory Slot	Micro SD card slot, support up to 128GB
Environmental	
Operating Temperature	-40°C ~ 60°C / -40°F ~ 140°F
Operating Humidity	10% ~ 95%
Electrical	
Power	12V DC ± 10%
Power Consumption	Max. 6W
Mechanical	
Weight	0.5kg / 1.1lb (Gross Weight)
Dimensions	147.5 x 68 x 61mm / 5.81" x 2.68" x 2.40"