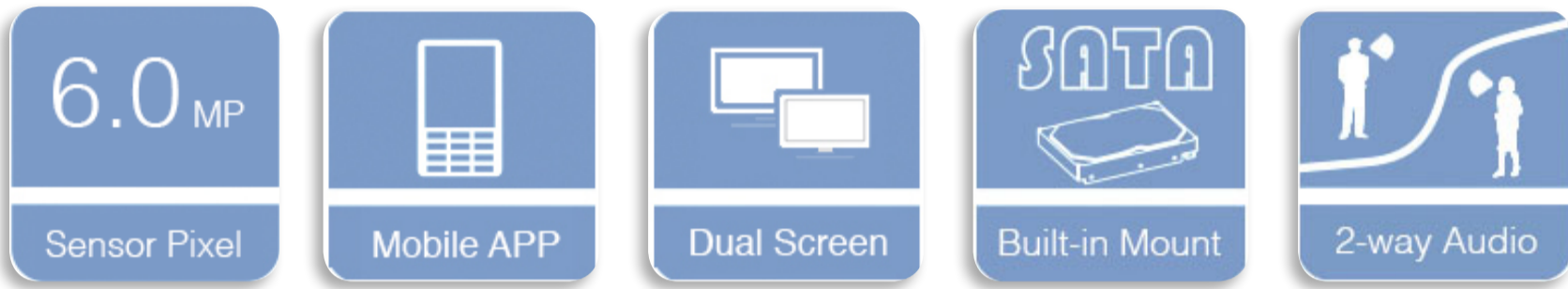


8-bay Economic Network Video Recorder



Features

High-performance, High-capacity

- 4 x 1080p@30fps / 9 x 720p@30fps video decoding capability
- 6MP video supported
- Up to 32 channels
- Up to 160Mbps incoming bandwidth
- Up to 110Mbps output bandwidth
- 64 user access simultaneously
- Max. 8 HDDs up to 48TB storage

Easy to install

- Automatic network organizing
- Built-in DHCP server

High reliability

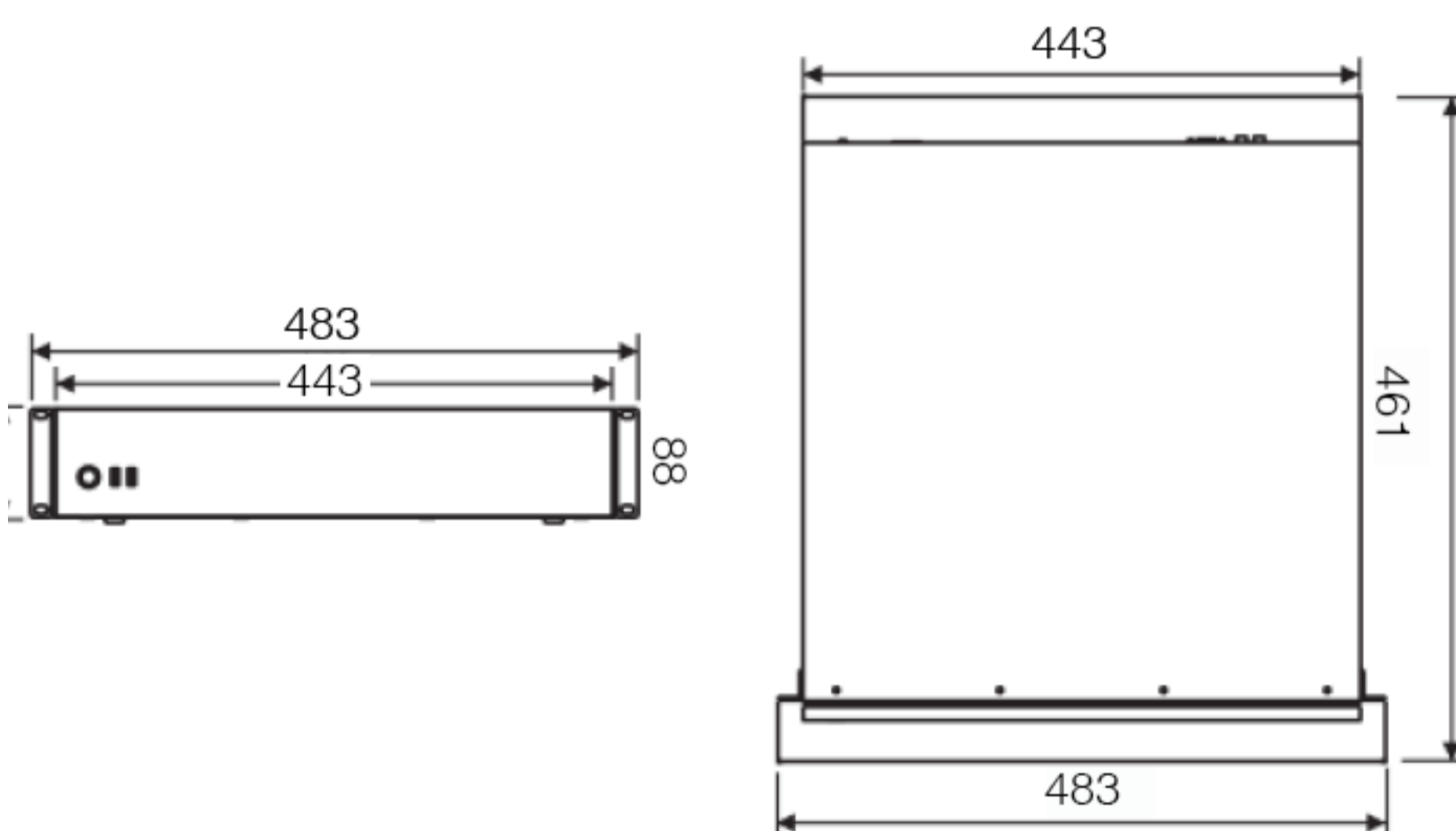
- Embedded Linux
- Low power consumption
- Supports Packet Loss Recovery (PLR)

Abundant functions and features

- HDMI/VGA simultaneously output different content
- Supports E-Map, TV-Wall
- Bi-directional audio, Broadcasting
- NAT, Socks5
- Alarm management
- Free CMS (NVR Station), supports 128 NVR simultaneously
- CMS supports 6 screens simultaneously (4 x Live viewing, 1 x E-Map, 1 x TV-Wall)

Dimensions

Unit: mm



Specifications

Model	NVR1822-9HD	NVR1822-16HD	NVR1822-32HD
Video/Audio Input			
IP Camera Input	9 channel	16 channel	32 channel
Resolution	6MP, 5MP, 4MP, 3MP, 1080p, UXGA, 960p, 720p, XGA, SVGA, D1, CIF, QCIF		
Compression Encoding	H.264		
Protocols	ONVIF, RTSP, KEDACOM		
Incoming Bandwidth	45Mbps	80Mbps	160Mbps
Live Viewing			
Local Display	1 x HDMI, 1 x VGA, simultaneously output different content		
Multi Screen Display Local monitor (Main / Secondary):	1, 4, 9, 1+4, 1+8, 1/1, 4/1, 1+4/1	1/1, 4/1, 9/1, 15/1, 16/1, 1+4/1, 1+8/1, 1+9/1, 1+15/1, 4/9, 9/4, 9/9	1/1, 4/1, 9/1, 15/1, 16/1, 36/1, 1+4/1, 1+8/1, 1+9/1, 1+15/1, 4/9, 9/4, 9/9
Multi Screen Display Client	up to 4 screen simultaneously: 1, 3, 4, 9, 12, 16, 20, 25, 30, 36, 42, 49, 56, 63, 64 1+5, 1+7, 1+8, 1+9, 1+11, 1+15, 1+16, 1+33, 1+47, 1+48		
E-Map	Live Viewing in E-Map (NVR Station)		
Function	E-PTZ / Scheme / Polling / TV-Wall (optional with decoder)		
Recording			
Resolution	6MP, 5MP, 4MP, 3MP, 1080p, UXGA, 960p, 720p, XGA, SVGA, D1, CIF, QCIF		
Mode	Manual / Continuous / Schedule / Event (Pre / Post)		
Event Trigger	Supported		
Tag	Supported		
Search & Playback			
Search Mode	Date and time (Calendar) / Event		
Resolution	6MP, 5MP, 4MP, 3MP, 1080p, UXGA, 960p, 720p, XGA, SVGA, D1, CIF, QCIF		
Playback	Local monitor: 1 x 6MP@30fps / 4 x 1080p@30fps / 9 x 720p@30fps Client: 5 x 6MP@30fps		
Synchronize Playback	Local monitor: 4 x 1080p@30fps or 9 x 720p@30fps Client: 4 x 6MP@30fps		
Function	Slow forward / Fast forward / Loop / Single frame / E-PTZ		
Storage			
Max. Internal HDDs	8 x 3.5" HDD Max. 48TB (up to 6TB/each)		
Function	Disk dormancy		
Audio			
Compression	G.711a / G.711u / ADPCM / G.722 / G.722.1c / AAC-LC		
Bit rate	32kbps ~ 64kbps		
Audio Function	Bi-directional audio / Dumb / Mute / Broadcasting		
Alarm			
Service Alarm Triggers	Alarm input / Video lost / Motion detection / Tampering / Guard line / Defocus / Scene change / Enter guard area / Exit guard area / Object left / Object removal / Gathering / Audio surge		
System Alarm Triggers	Device disconnected / No disk / Disk error / IP Address conflict / Network disconnected / Low speed / Insufficient recording space / MAC address conflict / Insufficient snapshot space		
Alarm Events	Snapshot / Recording / PTZ preset / Buzzer / Email / Link to Client / Alarm caption / Live view in first window / Link to TV Wall / Link to secondary screen / Full screen viewing		
System			
Operating System	Embedded Linux		
User Management	Admin / User		
Log Management	User login / User operation / Alarm / Backup / Update		
Application Programming	NVR Station SDK		
Network			
Network Protocols	TCP/IP, UDP, HTTP, DHCP, DNS/DDNS, RTP/RTCP, RTSP, PPPoE, FTP, SNMP, VSIP, UPNP, SMTP, IPv4, IPv6 (optional)		
Viewer Software	CMS (NVR Station) / Web / iOS app / Android app		
Max. User Access	64 Users		
Output Bandwidth	36Mbps	64Mbps	12 ~ 110Mbps
Function	NAT / Socks5 / Multiple network access / Packet loss recovery / Automatic network organizing		
Network Test	Supported		
Interfaces			
Ethernet	1 x Gigabit network port, RJ45 interface		
Video Out	1 x HDMI (up to 1920 x 1080@60Hz) 1 x VGA (up to 1920 x 1080@60Hz)		
Audio In / Out	1 x RCA Line in / 1 x RCA Line out		
USB	2 x USB 2.0		
Environmental			
Operating Temperature	-10°C ~ 55°C / 14°F ~ 131°F		
Operating Humidity	10% ~ 90%		
Electrical			
Power	100 ~ 240V AC, 50 ~ 60Hz		
Power Consumption	Max. 30W (HDD not included)		
Mechanical			
Weight	7.6kg / 16.72lb (HDD not included)		
Dimensions	443 x 460 x 88mm / 17.44" x 18.11" x 3.46"		