



Features

Excellent Image Quality

- 2.0 Megapixel 1/3" progressive scan CMOS Sensor
- High definition and smooth picture, 1080p@60fps
- H.264 high profile video codec, saves up to 30% bandwidth and storage
- Low illumination, 0.03lux with color picture
- 120dB Ultra WDR
- 3D noise reduction / Automatic Iris (-L1, -L2 only)

Vandal-Proof

- Above IK10 @ 50J collision energy

A Variety of Installation Modes

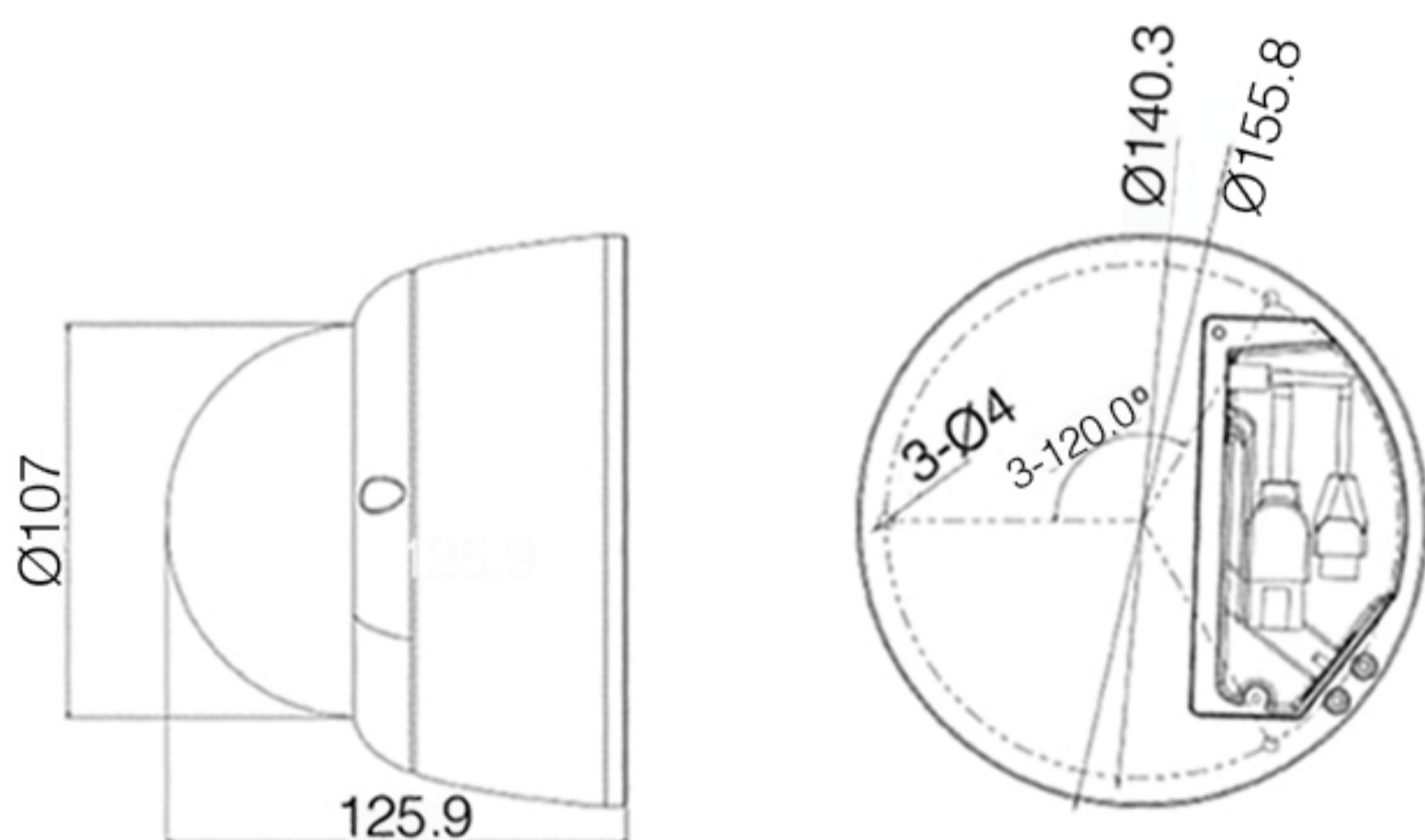
- Supports 90°, 180°, 270° image rotation
- Varifocal lens (-L1, -L2 only)

Abundant Functions and Features

- Supports Automatic Network Replenishment (ANR)
- Up to 4 video streams
- Bi-directional audio / alarm in and out / video out / RS485
- One click autofocus (-L2 only)
- PoE
- IP67

Dimensions

Units: mm



Specifications

| Model | IPC2231-DN (-L1, -L2, -L3, -L4) |
|---------------------------------------|---|
| Camera | |
| Image Sensor | 1/3" progressive scan CMOS |
| Pixels | 2.0 Megapixel |
| Min. Illumination | Color: 0.03lux @ (F1.2, AGC ON) B/W: 0.003lux @ (F1.2, AGC ON) |
| Shutter Speed | 1/10 ~ 1/10,000s |
| Day / Night | Auto (ICR) / Color / B/W |
| Wide Dynamic Range | Ultra WDR, 120dB |
| S/N Ratio | >50dB |
| White Balance | Auto / Manual |
| Gain Control | Auto / Manual |
| Backlight Compensation | Off / BLC / WDR |
| Lens | |
| Mount Type | -L1, -L2: Φ14 -L3: CS -L4: M12 |
| Iris | -L1, -L2: Automatic Iris (DC drive) -L3: Manual Iris -L4: Fixed Iris |
| Focal Length | -L1: 2.7 ~ 9mm @ F1.2 manual varifocal lens -L2: 2.7 ~ 9mm @ F1.2 motorized varifocal lens -L3: 2.2mm -L4: 2.0mm |
| Focus Control | -L1: Manual -L2: Manual / Semi-Automatic |
| Angle of View | -L1, -L2: 113° ~ 64° -L3: 129° -L4: 149° |
| Adjustment Range | Pan: 0° ~ 355° / Tilt: 0° ~ 75° / Rotation: 0° ~ 355° |
| Video | |
| Compression | H.264 / MJPEG |
| Image Resolution | Main stream: 1080p Secondary stream: D1 |
| Frame Rate | Main stream: 1080p@60fps Secondary stream: D1@30fps |
| Bitrate | 64kbps ~ 16Mbps |
| Bitrate Control | VBR / CBR |
| Multi-stream | Supported |
| Caption | Date and time / Alarm / Customized |
| Privacy Masking | Up to 4 zones |
| Motion Detection | Up to 4 zones |
| Video Freeze | Supported |
| Digital Noise Reduction | 3D noise reduction |
| Image Flip | Flip / Mirror / Rotation at 90°, 180°, 270° |
| Audio | |
| Compression | G.711a / G.711u / ADPCM / G.722 / AAC-LC |
| Bitrate | 32kbps ~ 64kbps |
| Audio Function | Bi-directional audio / AEC / Mixed audio recording / Dumb / Mute |
| Network | |
| Network Protocols | TCP/IP, UDP, HTTP, DHCP, DNS/DDNS, RTP/RTCP, RTSP, PPPoE, FTP, VSIP, IPv4, IPv6 (optional) |
| User Interface | IPC Control (IE) |
| Max. User Access | Max. 10 Users (includes 2 internal) |
| Application Programming | ONVIF (Profile S), GB/T 28181-2011, API, CGI |
| Automatic Network Replenishment (ANR) | Supported |
| Alarm | |
| Alarm Triggers | Motion detection / Alarm input |
| Alarm Events | Alarm caption / Snapshot / External output |
| Interfaces | |
| Ethernet | 10/100M, RJ45 interface |
| Audio In / Out | 1 x Line in / 1 x Line out |
| Control | 1 x RS485 |
| Alarm In / Out | 3 x Input / 1 x Output |
| Video Out | 1 x BNC, 1.0V [p-p] / 75Ω |
| Memory Slot | TF card slot, supports up to 128GB |
| Environmental | |
| Operating Temperature | -30°C ~ 60°C / -22°F ~ 140°F |
| Operating Humidity | 10% ~ 95% |
| Protection Level | IK10+ @50J, IP67 |
| Electrical | |
| Power | 12V DC ± 10% / PoE (IEEE802.3af) |
| Power Consumption | Max. 11W |
| Mechanical | |
| Weight | 1kg / 2.2lb (Gross Weight) |
| Dimensions | Φ155.8 x 125.9mm / Φ6.14" x 4.96" |