

IPC2132-AN-DIR

1.3MP HD Network Vandal-proof IR Semi Dome Camera

KEDACOM



Features

Excellent Image Quality

- 1.3 Megapixel 1/3" progressive scan CMOS Sensor
- High definition and smooth picture, 960p@30fps
- H.264 high profile video codec, saves up to 30% bandwidth and storage
- Low illumination, 0.01lux with color picture
- WDR / 3D noise reduction / Automatic Iris (-DIR1 only)

Vandal-Proof

- Above IK10 @ 50J collision energy

Integrated High Efficiency IR

- Industrial IR LED with long operational lifespan
- 20 ~ 40m IR distance
- Smart IR function

A Variety of Installation Modes

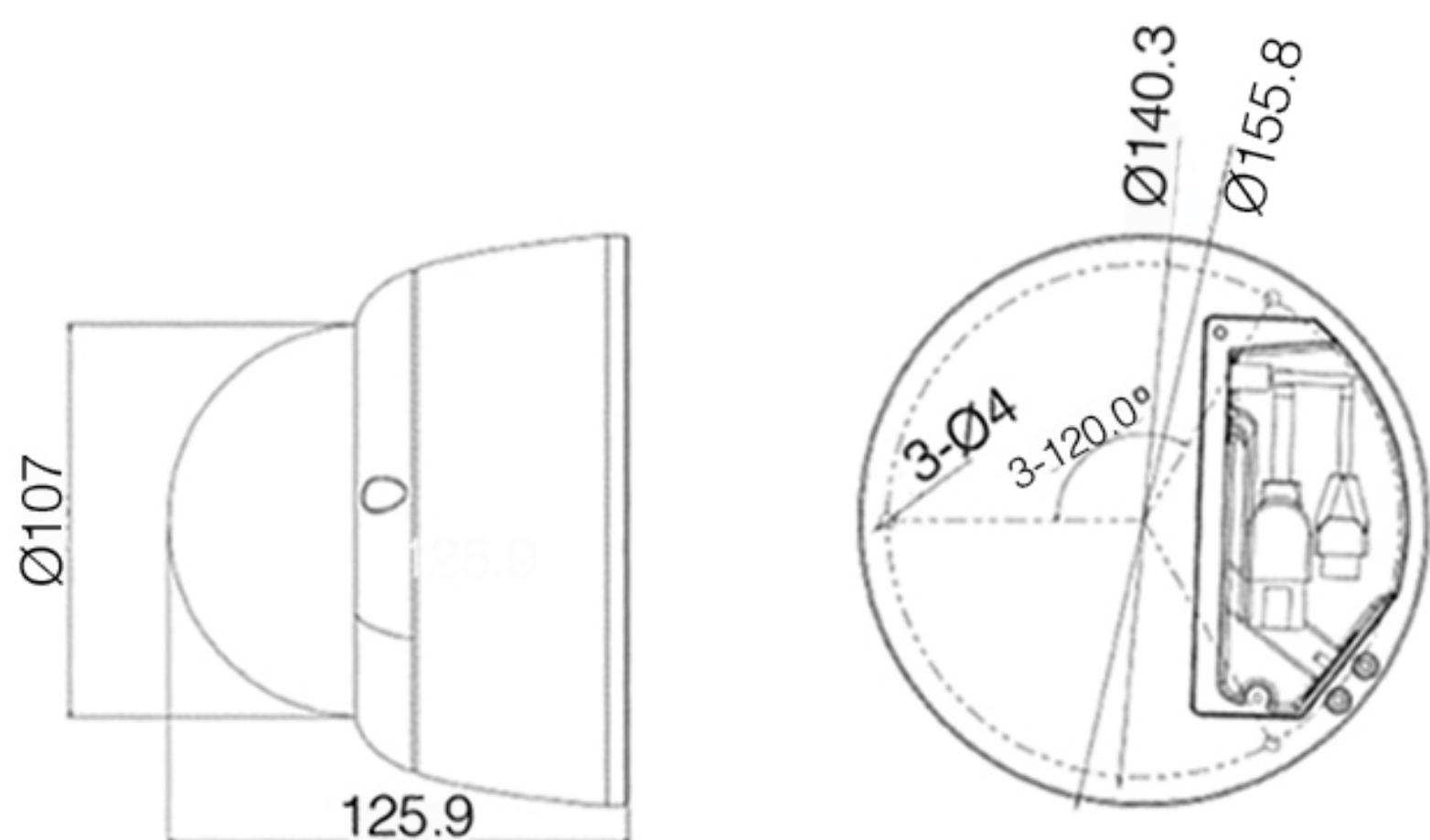
- Supports 90°, 180°, 270° image rotation
- Varifocal lens (-DIR1 only)

Abundant Functions and Features

- Supports Automatic Network Replenishment (ANR)
- Dual-stream (960p + D1)
- Bi-directional audio / alarm in and out / RS485
- IP67 (-DIR3 only)

Dimensions

Units: mm



Specifications

Model	IPC2132-AN (-DIR1, -DIR3)
Camera	
Image Sensor	1/3" progressive scan CMOS
Pixels	1.3 Megapixel
Min. Illumination	Color: 0.01lux @ (F1.6, AGC ON) B/W: 0lux with IR
Shutter Speed	1/10 ~ 1/10,000s
Day / Night	Auto (ICR) / Color / B/W
Wide Dynamic Range	Digital WDR
S/N Ratio	>50dB
White Balance	Auto / Manual
Gain Control	Auto / Manual
Backlight Compensation	Off / BLC / WDR
Lens	
Mount Type	-DIR1: Ø14 -DIR3: M12
Iris	-DIR1: Automatic Iris (DC drive) -DIR3: Fixed Iris
Focal Length	-DIR1: 2.8 ~ 12mm @ F1.6 manual varifocal lens -DIR3: 2.8mm
Angle of View	-DIR1: 87.6.6° ~ 31.3° -DIR3: 101°
Adjustment Range	Pan: 0° ~ 355° / Tilt: 0° ~ 75° / Rotation: 0° ~ 355°
Infrared	
IR LED	26 pcs IR LED
IR Distance	20 ~ 40m
IR Intensity	Smart IR
Video	
Compression	H.264 / MJPEG
Image Resolution	Main stream: 960p Secondary stream: D1
Frame Rate	Main stream: 960p@30fps Secondary stream: D1@30fps
Bitrate	64kbps ~ 8Mbps
Bitrate Control	VBR / CBR
Dual-stream	Supported
Caption	Date and time / Alarm / Customized
Privacy Masking	Up to 4 zones
Motion Detection	Up to 4 zones
Video Freeze	Supported
Digital Noise Reduction	3D noise reduction
Image Flip	Flip / Mirror / Rotation at 90°, 180°, 270°
Audio	
Compression	G.711a / G.711u / ADPCM / G.722 / AAC-LC
Bitrate	32kbps ~ 64kbps
Audio Function	Bi-directional audio / AEC / Mixed audio recording / Dumb / Mute
Network	
Network Protocols	TCP/IP, UDP, HTTP, DHCP, DNS/DDNS, RTP/RTCP, RTSP, PPPoE, FTP, VSIP, IPv4, IPv6 (optional)
User Interface	IPC Control (IE)
Max. User Access	10 Users (includes 2 internal access)
Application Programming	ONVIF (Profile S), GB/T 28181-2011, API, CGI
Automatic Network Replenishment (ANR)	Supported
Alarm	
Alarm Triggers	Motion detection / Alarm input
Alarm Events	Alarm caption / Snapshot / External output
Interfaces	
Ethernet	10/100M, RJ45 interface
Audio In / Out	1 x Line in / 1 x Line out
Control	1 x RS485
Alarm In / Out	1 x Input / 1 x Output
Memory Slot	TF card slot, supports up to 128GB
Environmental	
Operating Temperature	-30°C ~ 60°C / -22°F ~ 140°F
Operating Humidity	10% ~ 95%
Protection Level	IK10+ @50J, IP67 (-DIR3 only)
Electrical	
Power	12V DC ± 10%
Power Consumption	Max. 10W
Mechanical	
Weight	1kg / 2.2lb (Gross Weight)
Dimensions	Ø155.8 × 125.9mm / Ø6.14" × 4.96"

IR BULLET CAMERA

BOX CAMERA

SEMI DOME CAMERA

SPEED DOME CAMERA

IR SPEED DOME CAMERA

PTZ CAMERA

TRACKING SYSTEM

NETWORK VIDEO RECORDER

VIDEO MANAGEMENT SYSTEM

IP SAN

ENCODER & DECODER

MOBILE SOLUTIONS