



Features

Excellent Image Quality

- 1.3 Megapixel 1/3" progressive scan CMOS Sensor
- High definition and smooth picture, 960p@60fps
- H.264 high profile video codec, saves up to 30% bandwidth and storage
- Low illumination, 0.01lux with color picture
- 120dB Ultra WDR
- 3D noise reduction / Automatic Iris (-L1, -L2 only)

Vandal-Proof

- Above IK10 @ 50J collision energy

A Variety of Installation Modes

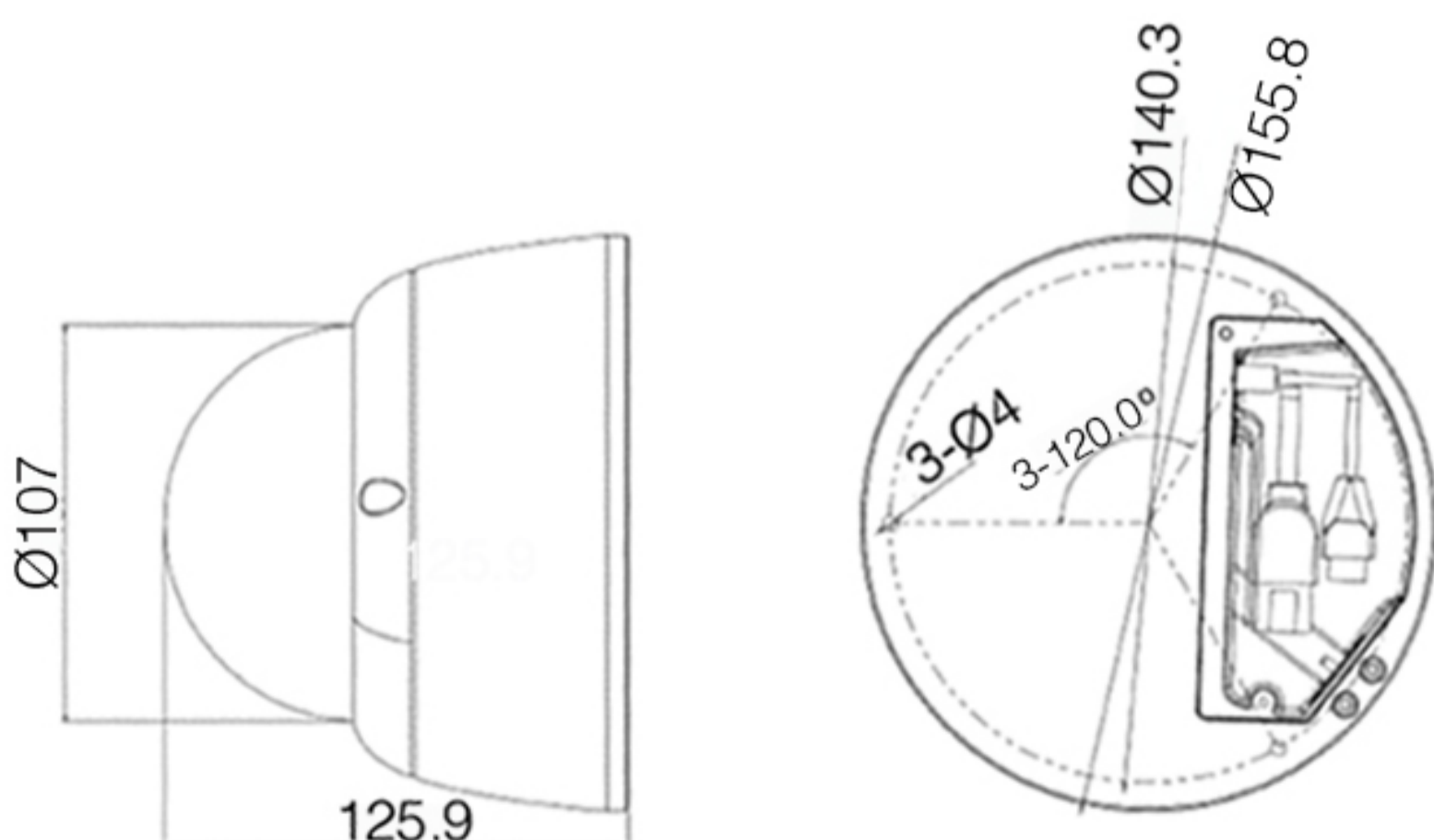
- Supports 90°, 180°, 270° image rotation
- Varifocal lens (-L1, -L2 only)

Abundant Functions and Features

- Supports Automatic Network Replenishment (ANR)
- Up to 4 video streams
- Bi-directional audio / alarm in and out / video out / RS485
- One click autofocus (-L2 only)
- PoE
- IP67

Dimensions

Units: mm



Specifications

Model	IPC2131-DN (-L1, -L2, -L3, -L4)
Camera	
Image Sensor	1/3" progressive scan CMOS
Pixels	1.3 Megapixel
Min. Illumination	Color: 0.01lux @ (F1.2, AGC ON) B/W: 0.001lux @ (F1.2, AGC ON)
Shutter Speed	1/10 ~ 1/10,000s
Day / Night	Auto (ICR) / Color / B/W
Wide Dynamic Range	Ultra WDR, 120dB
S/N Ratio	>50dB
White Balance	Auto / Manual
Gain Control	Auto / Manual
Backlight Compensation	Off / BLC / WDR
Lens	
Mount Type	-L1, -L2: Φ14 -L3: CS -L4: M12
Iris	-L1, -L2: Automatic Iris (DC drive) -L3: Manual Iris -L4: Fixed Iris
Focal Length	-L1: 2.7 ~ 9mm @ F1.2 manual varifocal lens -L2: 2.7 ~ 9mm @ F1.2 motorized varifocal lens -L3: 2.2mm -L4: 2.0mm
Focus Control	-L1: Manual -L2: Manual / Semi-Automatic
Angle of View	-L1, -L2: 99° ~ 55° -L3: 122° -L4: 149°
Adjustment Range	Pan: 0° ~ 355° / Tilt: 0° ~ 75° / Rotation: 0° ~ 355°
Video	
Compression	H.264 / MJPEG
Image Resolution	Main stream: 960p Secondary stream: D1
Frame Rate	Main stream: 960p@60fps Secondary stream: D1@30fps
Bitrate	64kbps ~ 16Mbps
Bitrate Control	VBR / CBR
Multi-stream	Supported
Caption	Date and time / Alarm / Customized
Privacy Masking	Up to 4 zones
Motion Detection	Up to 4 zones
Video Freeze	Supported
Digital Noise Reduction	3D noise reduction
Image Flip	Flip / Mirror / Rotation at 90°, 180°, 270°
Audio	
Compression	G.711a / G.711u / ADPCM / G.722 / AAC-LC
Bitrate	32kbps ~ 64kbps
Audio Function	Bi-directional audio / AEC / Mixed audio recording / Dumb / Mute
Network	
Network Protocols	TCP/IP, UDP, HTTP, DHCP, DNS/DDNS, RTP/RTCP, RTSP, PPPoE, FTP, VSIP, IPv4, IPv6 (optional)
User Interface	IPC Control (IE)
Max. User Access	Max. 10 Users (includes 2 internal)
Application Programming	ONVIF (Profile S), GB/T 28181-2011, API, CGI
Automatic Network Replenishment (ANR)	Supported
Alarm	
Alarm Triggers	Motion detection / Alarm input
Alarm Events	Alarm caption / Snapshot / External output
Interfaces	
Ethernet	10/100M, RJ45 interface
Audio In / Out	1 x Line in / 1 x Line out
Control	1 x RS485
Alarm In / Out	3 x Input / 1 x Output
Video Out	1 x BNC, 1.0V [p-p] / 75Ω
Memory Slot	TF card slot, supports up to 128GB
Environmental	
Operating Temperature	-30°C ~ 60°C / -22°F ~ 140°F
Operating Humidity	10% ~ 95%
Protection Level	IK10+ @50J, IP67
Electrical	
Power	12V DC ± 10% / PoE (IEEE802.3af)
Power Consumption	Max. 10W
Mechanical	
Weight	1kg / 2.2lb (Gross Weight)
Dimensions	Φ155.8 x 125.9mm / Φ6.14" x 4.96"