

IPC185-AN

8.0MP (4K) UHD Network Box Camera



Features

UHD 4K Resolution

- 8.0 Megapixel 1/1.7" progressive scan CMOS Sensor
- UHD 4K@25fps

Excellent Image Quality

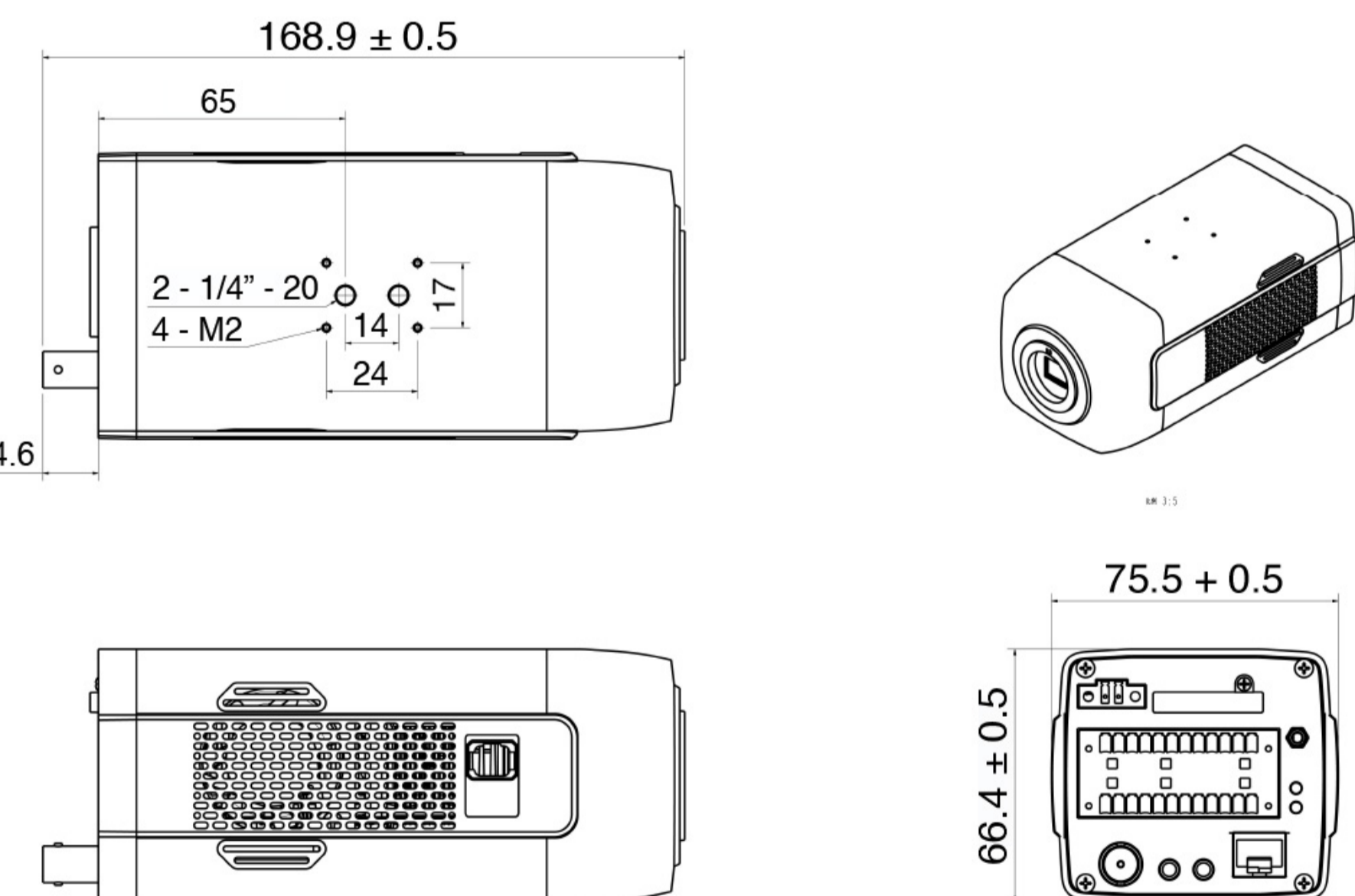
- H.264 high profile video codec, saves up to 30% bandwidth and storage
- Low illumination, 0.5lux with color picture
- WDR / 3D noise reduction

Abundant Functions and Features

- TF card slot, supports up to 128GB
- Supports Automatic Network Replenishment (ANR)
- Dual-stream (4K+D1)
- Bi-directional audio / alarm in and out / video out / RS485
- PoE

Dimensions

Units: mm



Specifications

Model	IPC185-AN
Camera	
Image Sensor	1/1.7" progressive scan CMOS
Pixels	8.0 Megapixel
Min. Illumination	Color: 0.5lux @ (F1.2, AGC ON) B/W: 0.05lux @ (F1.2, AGC ON)
Shutter Speed	1/10 ~ 1/10,000s
Day / Night	Auto (ICR) / Color / B/W
Wide Dynamic Range	Digital WDR
S/N Ratio	>50dB
White Balance	Auto / Manual
Gain Control	Auto / Manual
Backlight Compensation	Off / BLC / WDR
Lens (not included)	
Mount Type	C / CS
Automatic Iris	DC drive
Video	
Compression	H.264
Image Resolution	Main stream: 4K (4096x2160) Secondary stream: D1
Frame Rate	Main stream: 4K@25fps Secondary stream: D1@25fps
Bitrate	64kbps ~ 32Mbps
Bitrate Control	VBR / CBR
Dual-stream	Supported
Caption	Date and time / Alarm / Customized
Privacy Masking	Up to 4 zones
Motion Detection	Up to 4 zones
Video Freeze	Supported
Digital Noise Reduction	3D noise reduction
Image Flip	Flip / Mirror
Audio	
Compression	G.711a / G.711u / ADPCM / G.722 / AAC-LC
Bitrate	32kbps ~ 64kbps
Audio Function	Bi-directional audio / AEC / Mixed audio recording / Dumb / Mute
Network	
Network Protocols	TCP/IP, UDP, HTTP, DHCP, DNS/DDNS, RTP/RTCP, RTSP, PPPoE, FTP, VSIP, IPv4, IPv6 (optional)
User Interface	IPC Control (IE)
Max. User Access	Max. 8 Users (including 2 internal users)
Application Programming	ONVIF (Profile S), GB/T 28181-2011, API, CGI
Automatic Network Replenishment	Supported
Alarm	
Alarm Triggers	Motion detection / Alarm input
Alarm Events	Alarm caption / Snapshot / External output
Interfaces	
Ethernet	10/100/1000M, RJ45 interface
Audio In / Out	1 x Line in / 1 x Line out
Control	1 x RS485
Alarm In / Out	1 x Input / 1 x Output
Video Out	1 x BNC, 1.0V [p-p] / 75Ω
Memory Slot	TF card slot, supports up to 128GB
Environmental	
Operating Temperature	-40°C ~ 70°C / -40°F ~ 158°F
Operating Humidity	10% ~ 95%
Electrical	
Power	12V DC ± 10% / PoE (IEEE802.3af)
Power Consumption	Max. 8W
Mechanical	
Weight	0.65kg / 1.4lb (Gross Weight)
Dimensions	168.9 x 75.5 x 66.4mm / 6.65" x 2.98" x 2.62"

IR BULLET CAMERA

BOX CAMERA

SEMI DOME CAMERA

SPEED DOME CAMERA

IR SPEED DOME CAMERA

PTZ CAMERA

TRACKING SYSTEM

NETWORK VIDEO RECORDER

VIDEO MANAGEMENT SYSTEM

IP SAN

ENCODER & DECODER

MOBILE SOLUTIONS