

IP67/RJ45 Cat 5^E RJ45 PUR patchcords for harsh environment



P/N: AXCX 12 233 E0 100



Axindus typical link

Applications

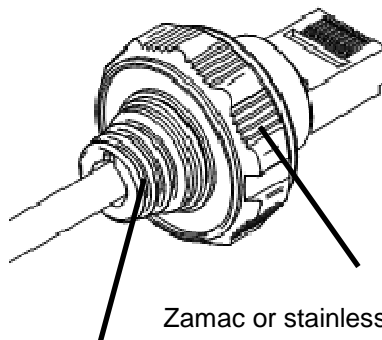
Perfects for Ethernet links in harsh environments, MMC Axindus range of IP67 rated patchcords are available in standard from 1m up to 10m, using an S/FTP cat 5e Polyurethane cable, assuring in an exclusive way a reliable cabling solutions in severe conditions, suitable for either stainless steel or Zamac 5 Axindus connectors.

General characteristics

- RJ45 IP67/RJ45 patchcords
- 4 pairs shielded S/FTP PUR (Polyurethane as per VDE 0282 part 10) cat 5^e stranded cable
- Zamac 5 locking system on one end, suitable for Axindus IP67 RJ45 Zamac connectors only
- Available with stainless steel locking system, suitable for Axindus IP67 RJ45 stainless steel connectors only

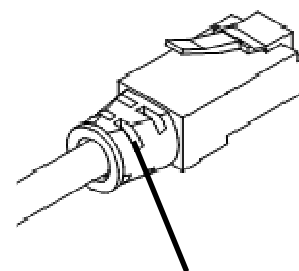
Physical Properties

- Zamac version main body made of Zamac 5 with Cu 12µm + Ni 3µm protection
- Stainless steel version main body made of stainless steel
- Plastic parts made of ABS or Pc UL94V0
- Waterproof gasket made of nitrile
- Dimensions IP67 side : Diameter x 29 mm Depth (including the strain relief) x 28mm



Zamac or stainless steel locking system

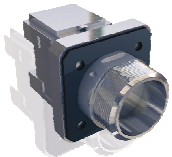
Polyurethane molded strain relief



PVC molded strain relief

Related Products

Part Numbers	Description	Packaging
RJ45 CONNECTORS		
AXA 332 110	IP67 cat 6 waterproof shielded RJ45 connector stainless 304 version	Unit
AXA 362 110	IP67 Cat 6 waterproof shielded RJ45 connector Zamac 5 version	Unit
DUST CAPS		
AXA 230 001	Zamac 5 IP67 dust cap for Axindus connectors	Unit
AXA 230 002	Stainless Steel 304 IP67 dust cap for Axindus connectors	Unit
SURFACE BOXES		
AXA 031 102	IP66 Stainless steel surface mounted box unloaded 1 port	Unit
AXA 032 102	IP66 Stainless steel surface mounted box unloaded 2 ports	Unit
AXA 031 112	IP66 Epoxy painted surface mounted box unloaded 1 port	Unit
AXA 031 212	IP66 Epoxy painted surface mounted box unloaded 2 ports	Unit
WALL CABINETS		
AXA 152 2001	IP 67 19" Stainless Steel wall mounted cabinet 13U	Unit
AXA 152 2201	IP 67 19" Stainless Steel wall mounted cabinet 13U	Unit
19" PANEL		
AXA 171 1000	19" 1U 12 PORTS stainless steel panel for Axindus connectors	Unit
DIN RAIL ADAPTER		
AXA 033 102	Din rail adapter for Axindus connectors	Unit
FACEPLATES		
AXA 033 101	45 x 45 stainless steel faceplate unloaded for 1 Axindus connectors	Unit
AXA 033 100	80 x 80 stainless steel faceplate unloaded for 1 Axindus connector	Unit
TOOL		
AXA 030 001	Spanner for Axindus connectors on surface box or panel	Unit



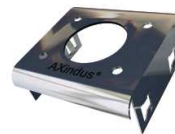
P/N: AXA 362 110



P/N: AXA 230 001



P/N: AXA 032 102



P/N: AXA 033 101



P/N: AXA 152 2001

Standards

Electrical performances requirements
 Category 6 compliance
 Electrical performances requirements for mated pair using plug and socket
 Shielded connectors for frequencies up to 250 MHz
 EC verified

ISO 11801 2nd Edition
 ISO/IEC JTC 1/SC 25 N696
 ANSI/EIA/TIA-568-B.2-1
 48B/1102/NP IEC 60603-7-5
 DQP231006 V.8, 2002-02-12

Ordering information

Part Numbers	Description	Packaging
AXCX 12 233 E xxxx	IP67/RJ45 cat 5 ^e waterproof shielded RJ45 patchcords Zamac 5 version	Unit
AXDX 12 233 E xxxx	IP67/RJ45 Cat 5 ^e waterproof shielded RJ45 patchcords stainless 304 version	Unit
Replace xxxx by	The length in cm, available in 100, 300, 500, 600, 700, 800, 900, 1000 (other on request)	