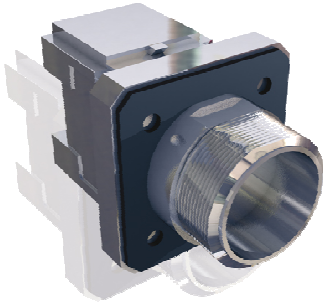


REF: AXA 3x2 110

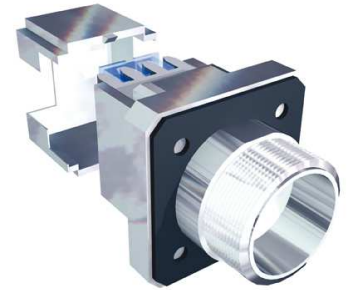
IP67 waterproof Cat 6 RJ45 connectors for harsh environment



P/N: AXA 332110 (Stainless steel version)



Axindus typical link



P/N: AXA 362110 (Zamac version)

Applications

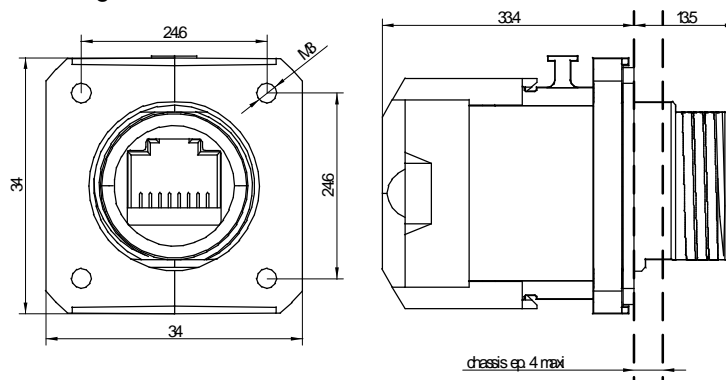
Ideal for high performances Ethernet links in harsh environments, MMC Axindus complete range of IP 67 rated connectors and accessories innovates in an intelligent and exclusive way and fulfill most of the demand in reliable smart & simple cabling solutions in sever conditions.

General characteristics

- RJ45 connector with a self-stripping IDC contacts system for quick connection, less than 1 minute.
- Toolless connection
- Several time connection / disconnection of the 4 pairs
- Suitable for AWG 22 and AWG 24 solid conductors.
- Colour code according to EIA/TIA 568A and B and location of each contact point figures out on a sticker
- Back cap as 360° EMC grounding for an ideal orientation of the cable in any case (respect of the bending radius).

Physical Properties

- Zamac version main body made of Zamac with Cu 12µm + Ni 3µm protection
- Stainless steel version main body made of Stainless steel
- IDC contacts :Bronze, with CU+ SnPb 8µm protection
- Interface contacts : with NI+Au 0.2µm protection
- Plastic parts made of ABS or Pc UL94V0
- Waterproof gasket made of nitrile
- Dimensions : as per drawing below



REF: AXA 3x2 110

IP67 waterproof Cat 6 RJ45 connectors for harsh environment

Related Products

Part Numbers	Description	Packaging
DUST CAPS		
AXA 230 001	Zamac 5 IP67 dust cap for Axindus connectors	Unit
AXA 230 002	Stainless Steel 304 IP67 dust cap for Axindus connectors	Unit
SURFACE BOXES		
AXA 031 102	IP66 Stainless steel surface mounted box unloaded 1 port	Unit
AXA 032 102	IP66 Stainless steel surface mounted box unloaded 2 ports	Unit
AXA 031 112	IP66 Epoxy painted surface mounted box unloaded 1 port	Unit
AXA 031 212	IP66 Epoxy painted surface mounted box unloaded 2 ports	Unit
WALL CABINETS		
AXA 152 2001	IP 67 19" Stainless Steel wall mounted cabinet 13U	Unit
AXA 152 2201	IP 67 19" Stainless Steel wall mounted cabinet 13U	Unit
19" PANEL		
AXA 171 1000	19" 1U 12 PORTS stainless steel panel for Axindus connectors	Unit
DIN RAIL ADAPTER		
AXA 033 102	Din rail adapter for Axindus connectors	Unit
FACEPLATES		
AXA 033 101	45 x 45 stainless steel faceplate unloaded for 1 Axindus connectors	Unit
AXA 033 100	80 x 80 stainless steel faceplate unloaded for 1 Axindus connector	Unit
TOOL		
AXA 030 001	Spanner for Axindus connectors on surface box or panel	Unit
PATCH CORDS & CABLES RANGE – PLEASE SEE THE PRICE LIST		



P/N: AXA 230 001



P/N: AXA 032 102



P/N: AXA 033 101



P/N: AXA 152 2001

Standards

Electrical performances requirements
 Category 6 compliance
 Electrical performances requirements for mated pair using plug and socket
 Shielded connectors for frequencies up to 250 MHz
 EC verified

ISO 11801 2nd Edition
 ISO/IEC JTC 1/SC 25 N696
 ANSI/EIA/TIA-568-B.2-1
 48B/1102/NP IEC 60603-7-5
 DQP231006 V.8, 2002-02-12

Ordering information

Part Numbers	Description	Packaging
AXA 332 110	IP67 cat 6 waterproof shielded RJ45 connector stainless 304 version	Unit
AXA 362 110	IP67 Cat 6 waterproof shielded RJ45 connector Zamac 5 version	Unit